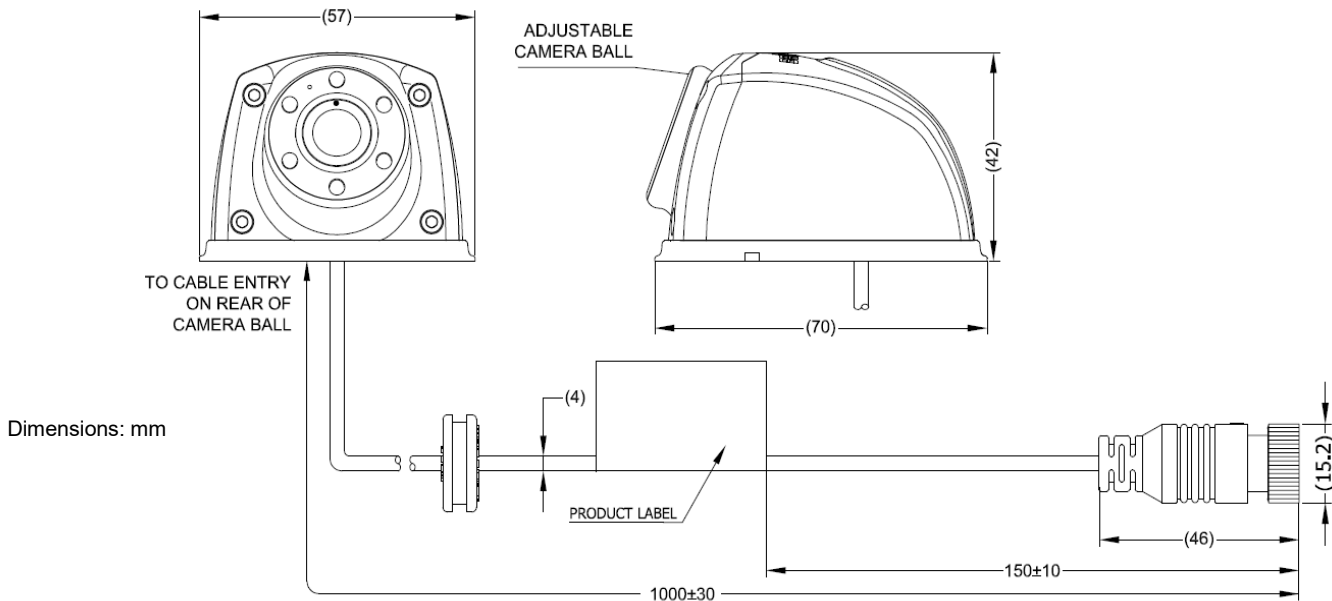


# Product Specification



Brigade Model Number: VBV-3000C VBV-3001C VBV-3020C VBV-3021C  
 Brigade Part Number: 5454 5455 5456 5457



## Product Specification

### Environmental Specifications:

- Shock Rating: 51 G (All 3 Axis - 6 directions)
- Vibration Rating: 8.5 G (All 3 Axis - 32hrs each)
- Camera IP Rating: IP69K
- Connector IP Rating: IP67
- Operating Temperature: -30° to +70°C
- Storage Temperature: -40° to +85°C

### Approved Standards:

- CE (EN 61000-6-1:2007 + A1:2011 + AC:2012 / EN 61000-6-3:2007 + AC:2005)
- FCC (47 CFR Part 15 Subpart B)
- Industry Canada (ICES-003)
- E-Mark (ECE Regulation 10 Rev 05)  
(ECE Regulation 46 Rev. 06 with VBV-770HM)  
- For VBV-3000C / VBV-3020C only
- Ingress Protection (ISO 20653:2006)
- Salt Spray Corrosion (ISO 16750-4)
- RoHS
- WEEE

### Technical Specifications:

- Operating Voltage: 12 Vdc ± 2Vdc
- Current Consumption: ≤106mA @ 14 Vdc
- Power Consumption: ≤1.5 Watts @ 14 Vdc
- Imaging Devices: CMOS - 1/3" Sony
- TV System:
  - VBV-3000C / VBV-3020C: AHD 1.0 (720p-25 fps)
  - VBV-3001C / VBV-3021C: AHD 1.0 (720p-30 fps)
- Visual Resolution:
  - VBV-3000C / VBV-3020C: 600 TV Lines
  - VBV-3001C / VBV-3021C: 600 TV Lines
- Picture elements: 1297(H) x 977(V)
- Lens Focal Length: 2.0mm
- Required Illumination: 0 Lux (IR LED ON)
- Illumination Area: Approx. 4.5m (L) x 3m (W)
- Ball rotation: ±180°
- Ball adjustment: Up 26°; Down 4°; Left / Right 4°

### Technical Specifications Continued...

- Viewing Angle:
  - VBV-3000C / VBV-3020C: 128° (H), 72° (V), 142° (D)
  - VBV-3001C / VBV-3021C: 127° (H), 71° (V), 142° (D)
- Assembled Weight: 160 Grams
- Video Output: Approx. 1.7 Vp-p / 75Ω
- Length of Cable: 1000 ± 30mm
- Overall Dimensions: 57mm (W) x 70mm (D) x 42mm (H)
- Housing Material: Aluminium Alloy
- Camera View:
  - VBV-3000C / VBV-3001C: Fixed - Mirror
  - VBV-3020C / VBV-3021C: Fixed - Normal
- Finish: Black

### Features:

- High-definition 720p AHD 1.0 picture quality
- Fully adjustable ball position
- Night Vision via 5 x High Power Infrared LEDs enabled by integrated Day / Night sensor
- Integrated Microphone
- High Quality Sony CMOS & NextChip ISP
- Back Light Compensation
- Automatic White Balance
- Wide dynamic range
- Fixed IRIS
- VBV Type Female Connector
- Ball adjustment allows mounting on any flat surface

### Package Contents:

- 1 x VBV-300XC-C/302XC-C - Camera Ball Only
- 1 x VBV-3XXX-RH - Rear Housing
- 1 x VBV-3XXX-FH - Front Housing
- 1 x VBV-3XXX-RM - Rubber Mat
- 1 x VBV-3XXX-FIX - Fixing Pack
- 1 x VBV-30XXX-IG - Installation Guide

Technical: +44(0) 1322 420347  
 www.brigade-electronics.com

Specifications subject to change without notice

PS(VARIOUS)-01 VBV-30XXC